

PEDESTAL ROLLER FAIRLEAD

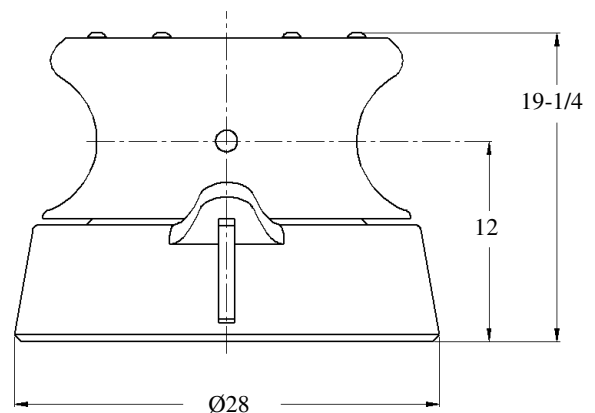
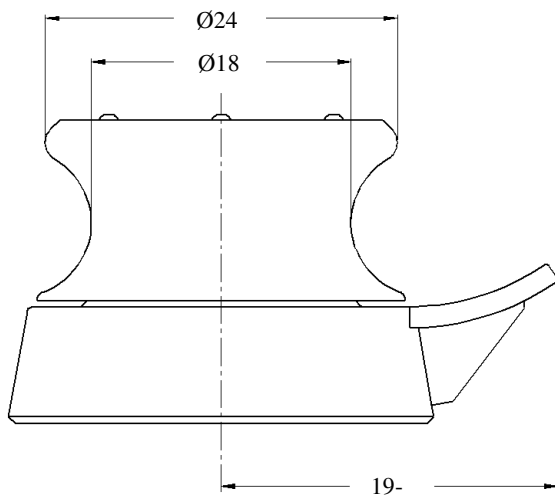
PFH-18

STANDARD FEATURES

- Designed for Maximum SWL of 150MT per OCIMF Recommendations
- Heavy Duty Cast Steel Construction
- Grease Lubricated Bronze Bearings
- Heat Treated Roller for Longer Life
- Weld Down Mounting Base
- Epoxy Primer Coating

OPTIONAL FEATURES

- Customized Design to Suit Your Application
- Custom Mounting Bases
- Three Coat Marine Paint System
- Third Party Certification



WEIGHT: 1,056 LBS

* DIMENSIONS SUBJECT TO CHANGE WITHOUT NOTICE*

Smith Berger Marine, Inc. - Mooring & Towing Solutions

7915 10th Ave. S., Seattle, WA 98108 USA

Tel. 206.764.4650 - Toll Free 888.726.1688 - Fax 206.764.4653

E-mail: sales@smithberger.com - Web: www.smithberger.com